

**Portable
Heated Cape**
便攜式電熱斗篷

MODEL NO.: GHC8BR
8W

A GILMAN GROUP BRAND

SAFETY INSTRUCTION - DURING OPERATION

- This product should not be used in the immediate vicinity of water, such as bathtub, washbowl, bathroom swimming pool etc. where the likelihood of immersion or splashing could occur.
- Allowing it to cool and cleaning as described in the clean and Storage section.
- Be sure that no other high current appliances are plugged into the same circuit with your appliance as an overload can occur.



Do not bleach!



Do not dry the blanket in a tumble drier!



Do not dry clean!



Hand wash



Do not iron the blanket!

2. Then turn on the switch, the red indicator light gets on when the heating system is working.
3. You can wrap the heating blanket on your shoulders or put it on your legs. You will enjoy warm and comfortable hug with it.



CLEANING AND STORAGE

Note: Before cleaning the cape cover, please remove the heated inner bag form inside! DO NOT wash the heated inner bag!

- Wash the cape cover by hand in a mild soapy solution. DO NOT use bleach to clean the cape cover.

PRODUCT SPECIFICATIONS

Model no.: GHC8BR
Input voltage: 5V
Output power: 8W
Product dimensions: 700(L) x 1000(W) mm

* The final product specification may be varied according to a different lot of material and actual input voltage power of the usage area.

Please read and retain for future reference.

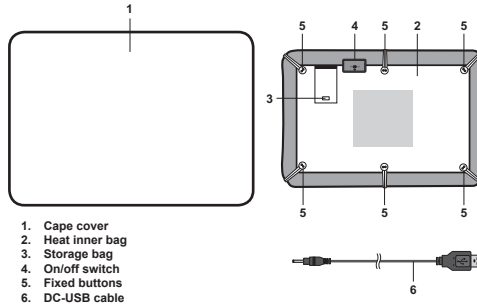
SAFETY INSTRUCTION - GENERAL

- Use this appliance solely in accordance with these instructions.
- This appliance is for household use only, not for commercial purpose.
- Remove all packaging material from the appliance before use.
- This appliance shall not be used by children of 0 to 8-year old.
- This appliance can be used by children older than 8-year old and persons with reduced physical, sensory or mental capabilities or lack of experience and knowledge, but only if they have been given supervision or instruction concerning use of the appliance in safe way and understand the hazards involved.
- Children should be supervised to ensure that they do not play with the appliance.
- Cleaning and maintenance must not be done by children.
- Have any repairs carried out solely by a qualified electrician. Never try to repair the appliance yourself.
- Do not handle the plug or appliance with wet hands.
- Do not immerse the main body in water.
- Children shall not play with the appliance.
- Do not leave the appliance unattended when connected to the mains supply.
- Only use the attachments/accessories supplied with the product.

SAFETY INSTRUCTION - ELECTRICITY AND HEAT

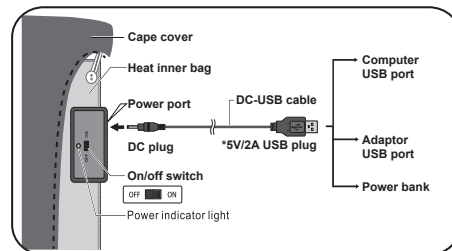
- Verify that the mains voltage is the same as that indicated on the rating plate on the appliance before use.
- Always remove the power cord when the appliance is not in use.
- Make sure that the appliance, the power cord does not make contact with water.
- Make sure that the appliance, the power cord does not make contact with hot surface, such as a hot hob or naked flame.
- Check the appliance's power cord regularly to make sure it is not damaged.
- Do not use the appliance if the power cord is damaged. If the power cord is damaged, it must be replaced by an electrical technician or a person with similar qualification, in order to avoid any hazards.
- The appliance needs space to allow heat to escape, thereby preventing the risk of fire. Make sure that the appliance has sufficient space around it, and does not come in contact with flammable material.
- Never use the appliance in the vicinity of flammable material.

PRODUCT OVERVIEW



OPERATING INSTRUCTION

1. Connect the DC-USB cable as below picture.



*Recommend use 5V/2A port for better performance.

安全指引 - 一般安全

- 請按照這些說明事項，使用本產品。
- 本產品僅供家用，不作商業用途。
- 使用前，請將所有包裝材料拆除。
- 0至8歲的兒童不應使用本產品。
- 超過8歲的兒童可使用本產品，但請勿由肢體不健全、感覺或精神上有任何障礙或缺乏相關經驗和知識的人使用，除非有負責他們安全的人對他們使用本產品進行監督或指導。
- 請務必看顧好兒童，以確保他們不玩耍本產品。
- 兒童不應清潔或維修本產品。
- 當需進行任何維修，必須由專業維修人員進行維修。永遠不要嘗試自己修理本產品。
- 手濕時不可以接觸電源線或本機。
- 主機不可以浸入水中。
- 兒童不可以把玩本機。
- 本機開著後不可以無人監管。
- 只使用隨機附送的配件。

安全指引 - 電子和熱能產品

- 使用相符的電源和電壓，以防止觸電。
- 當本產品不使用時，請拔掉電源線。
- 確保本產品、電源線不與水接觸。
- 確保本產品、電源線不接觸發熱表面，如明火。
- 定期檢查本產品的電源線以確保其沒有損壞。如果電源線損壞，請勿使用其產品，並須由專業維修人員來更換，以避免出現任何危險。
- 確保本產品的周圍有足夠空間，並且不接觸易燃物料。使用時，通風口不得覆蓋或堵塞。
- 切勿在易燃材料附近使用本產品。

7

安全指引 - 操作期間

- 不要在直接接近水的地方使用產品，比如浴缸、洗臉盆、浴室的游泳池等，這些地方可能發生漏電。
- 按照“清潔和儲存”部分中的說明進行清潔。
- 確保沒有其他高電流的電器同時插入和產品相同的電路，從而產生超負載的情況。



不可以把此產品漂白處理



不可以放入乾衣機清洗



不可以乾洗此產品



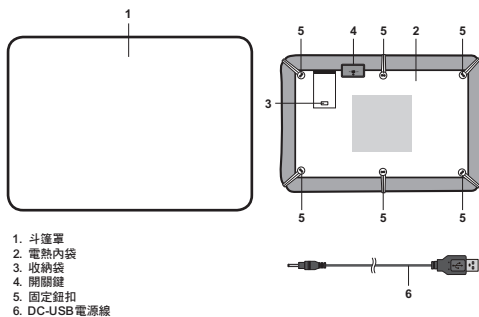
可手洗



不可以使用熨斗在此產品上

8

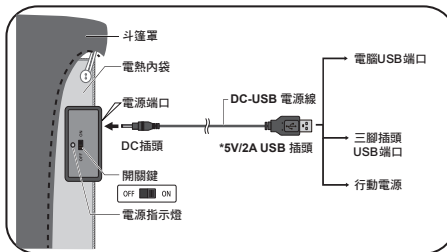
部件示意圖



1. 斗篷罩
2. 電熱內袋
3. 收納袋
4. 開關鍵
5. 固定鈕扣
6. DC-USB 電源線

使用說明

1. 如下圖所示，連接DC-USB 電源線。



*建議用5V/2A端口，有更好加熱效能

9

2. 然後打開/關鍵，指示燈亮起，開始加熱功能。
3. 你可以將電熱斗篷搭在肩上或放在腿上使用。



清潔及儲存

注意：清潔斗篷罩之前，請先從取出裡面的電熱內袋！請勿清洗電熱內袋！
- 用溫和的肥皂溶液手洗斗篷罩。請勿使用漂白劑清潔斗篷罩。

產品規格

型號： GHC8BR
輸入： 5伏
輸出： 8瓦
產品尺寸： 700(長) x 1000(闊)毫米

*相關產品的規格，可能會因配件批次或實際使用地區的電壓差異而有所不同。

10

請記錄下列產品資料

型號 Model No.:
機身編號 Serial No.:
經銷商名稱 Dealer:
購買日期 Date of Purchase:
單據編號 Invoice No.:

本產品不斷改進中，如功能有所更改，恕不另行通知。
如有疑問，請與客戶服務中心聯絡。不便之處，敬請原諒。
The product specifications may be changed without prior notice.
Please contact customer service for details if necessary.

說明書內容以英文版本為準
If there is any inconsistency or ambiguity
between the English version and the Chinese version,
the English version shall prevail.

保養登記
Warranty Registration



於網上登記新產品保養
Register your product online
www.dchtoolbox.com

小電維修服務 - 自備點
Repair Service - Collection Points



客戶服務中心 DCH ToolBox Customer Service Centre
香港九龍彌敦道20號大昌行集團大廈4樓
4/F, DCH Building, 20 Kai Cheung Road, Kowloon Bay, Hong Kong

客戶服務熱線 Customer Service Hotline: (852) 8210 8210
電郵地址 E-mail: 8210service@gilman-group.com
網址 Website: www.gilman-group.com

12